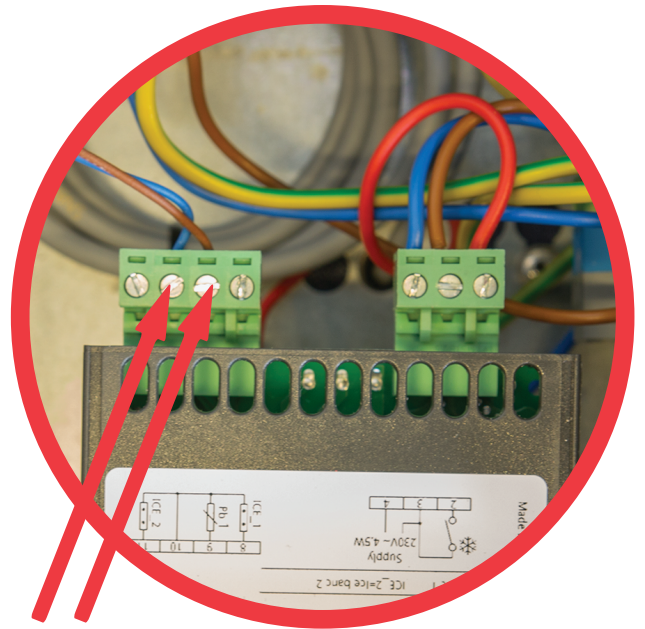
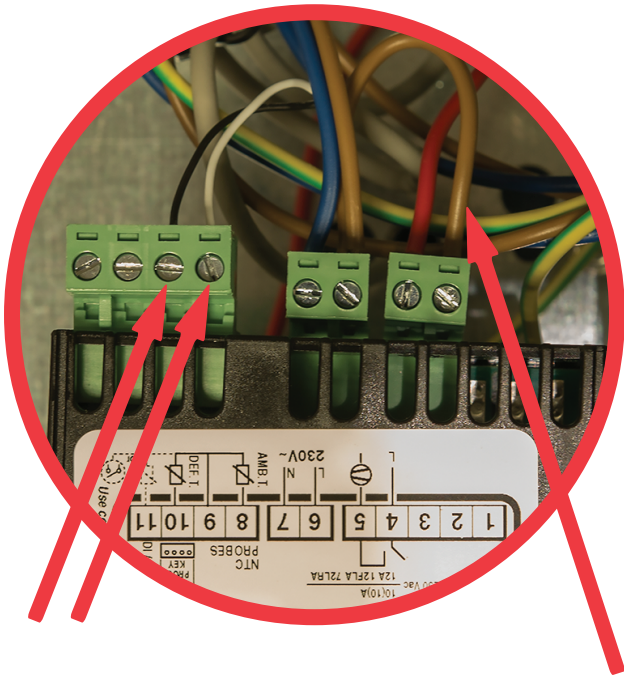


INSTRUCTIONS FOR ELIWELL THERMOSTAT

OLD Carel Thermostat

New Eliwell Thermostat



From here Remove jumper

To here
Move the probe connector cables to the middle terminal connectors.

